

# OLYMPUS®


Your Vision, Our Future

BIOLOGICAL MICROSCOPE

## CX21

CX2 SERIES

**UIS2**  
World-leading optics



*Step Up To  
Higher Performance  
With The Olympus  
UIS2 Infinity Optics*

The CX21 sets new standards for educational and clinical microscope in biological applications

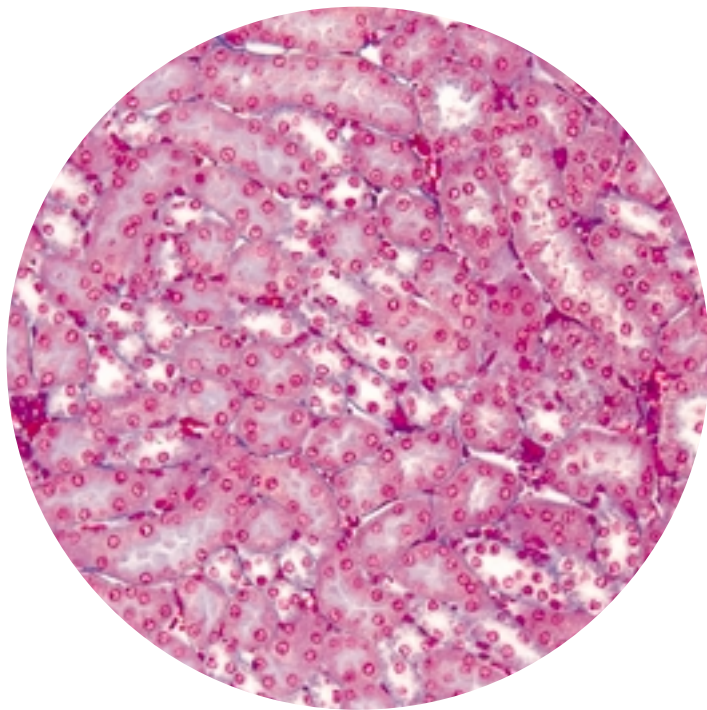


# Superb image clarity coupled with Oly

## Superior imaging

**Plan objectives are packaged as standard, providing image flatness that is among the best in this class**

The CX21 is equipped with the same UIS2 optical system used in Olympus' top-level microscopes. In addition, Plan Achromat objectives are included as standard for the first time in this class of microscope, providing sharp images with high contrast right up to the edge of the field of view.



### Bright, uniform illumination

The CX21's 6V20W high intensity halogen lamp delivers clear, stable illumination. The built-in aspheric collector lens provides images that are bright and uniformly illuminated over the entire field of view.

### Abbe condenser for optimized contrast

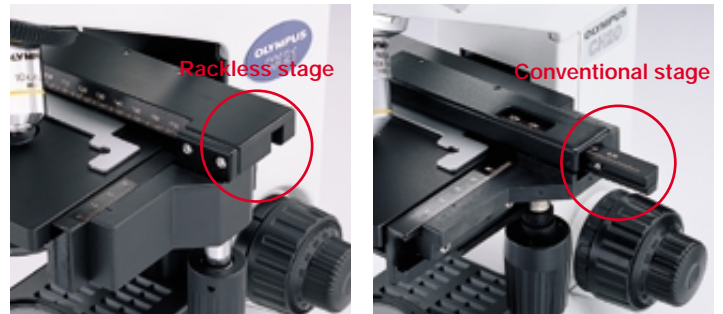
The optimal aperture stop position for each objective is clearly marked on the Abbe condenser, resulting in high-resolution, high-contrast images.



## Easy, safe operation

### Rackless stage for durability and ease of use

The wire-driven stage movement avoids any protrusion of racks — preventing the possibility of accidental damage or hand injury. Abrasion-resistant rackless design ensures continuous smooth movement.



### Component security — Student proof !

The eyepieces, objectives and condenser are all factory attached to the microscope body ensuring that no component is dropped or detached during transportation or regular use.



### Ultra-smooth, quadruple revolving nosepiece

High-precision machining ensures smooth operation and durability. Nosepiece includes a rubber ring for an easy ergonomic grip.

### Mechanical stage focus-lock prevents mishaps

The focus position can be locked making it easy to refocus when the specimen is changed. With the upper stage position locked, there is no chance of the objective accidentally touching the slide and damaging either the specimen or the objective itself.

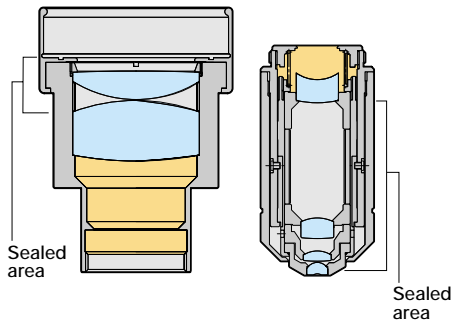


# Olympus' renowned reliability and rigidity

## Use in any environment

### Anti-fungus treatment for component durability

An effective anti-fungus treatment is applied to the objectives, eyepieces and observation tube for consistent image clarity and long operating life even in hot humid work conditions.



### Compact design, easy to store and carry

The CX21 is only 391 mm high, compact enough to be stored in a typical classroom cabinet. A cord-rest and wooden storage box are also available as an option, for convenient storage and portability.



### Mirror unit allows observation with no power source

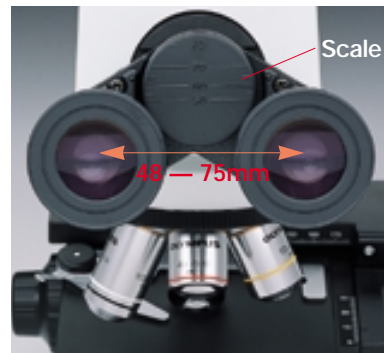
Attachment of the optional mirror unit allows observations to be made even when no power source is available. When an external light source is used, the observation head can be reversed and the slide can be viewed through a large opening in the arm.



## Suitable for any user

### Individual choice of adjustment

Binocular observation tube is inclined 30 degrees allowing for an ergonomic, comfortable posture during observation. Eyepieces can be easily set for multiple users with a scaled interpupillary distance adjustment and diopter setting. High eyepoint design eyepieces with F.N. 18 can be used comfortably without removing eyeglasses.

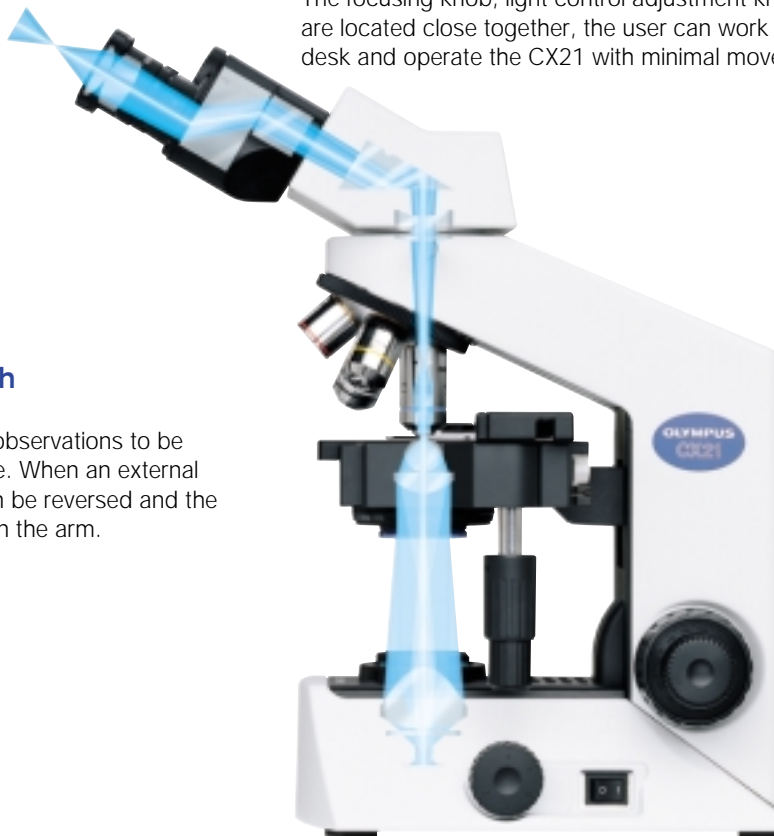


### Tension adjustment for smoother focusing

The coaxial coarse/fine focusing knob is operable from either the left or right side. Coarse movement tension can be adjusted in accordance with personal preference.

### Ergonomic design for user convenience

The focusing knob, light control adjustment knob and stage handle are located close together, the user can work with hands on the desk and operate the CX21 with minimal movement.





## Specifications

Item	Specifications
Optical system	UIS2 (Universal Infinity System) optical system
Illumination System	Built-in transmitted illumination system 6V20W halogen bulb 100-240V 50/60Hz universal voltage
Focusing	Stage height movement (coarse movement stroke 20mm) Fine focus graduation: 2.5µm
Revolving nosepiece	Fixed quadruple nosepiece
Stage	Wire movement mechanical fixed stage: 120X132mm Traveling range: 76mm(X)X30mm(Y) Single specimen holder
Observation tube	30° inclined binocular tube Interpupillary distance adjustment range 48-75mm
Condenser	Abbe type with aperture iris diaphragm N.A.: 1.25
Objective lens	Plan Achromatic objectives (anti-fungus) 4X N.A.: 0.10 W.D.: 18.5mm 10X N.A.: 0.25 W.D.: 10.6mm 40X N.A.: 0.65 W.D.: 0.6mm 100X N.A.: 1.25 W.D.: 0.13mm (option)
Eyepiece (10X)	Field Number (F.N.): 18 (anti-fungus)
Optional accessories	Mirror unit, 15X eyepiece (F.N. 12, anti-fungus), cord rest, wooden storage box, filar micrometer, wire pointer, filter holder, darkfield stop

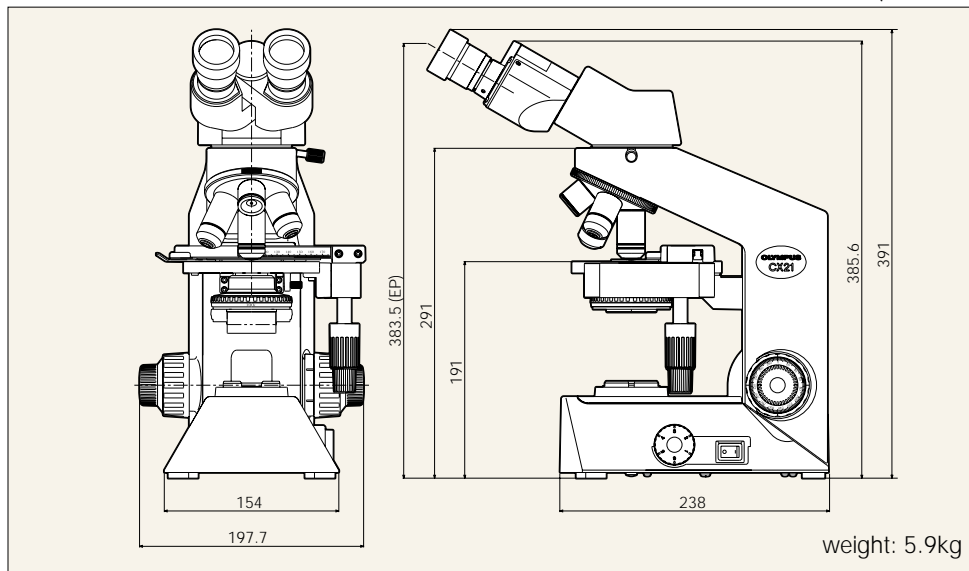
## Wooden storage box

A wooden storage box is available as an optional accessory. It is convenient, sturdy and includes a handle for easy carrying. Dimensions: 264(W) X 305(D) X 474(H)mm



## Dimensions

(unit: mm)



## Safety & Electromagnetic radiation standards

The CX21 meets or exceeds UL/ICC/CE standards for safety and for electromagnetic radiation.



### Environmentally-friendly product

All optical components in CX21 microscope use lead-free eco-glass.

ECO-PRODUCTS

Specifications are subject to change without any obligation on the part of the manufacturer.



**OLYMPUS**<sup>®</sup>

**OLYMPUS CORPORATION**  
Shinjuku Monolith, 3-1, Nishi Shinjuku 2-chome, Shinjuku-ku, Tokyo, Japan  
**OLYMPUS EUROPA GMBH**  
Postfach 10 49 08, 20034, Hamburg, Germany  
**OLYMPUS AMERICA INC.**  
Two Corporate Center Drive, Melville, NY 11747-3157, U.S.A.  
**OLYMPUS SINGAPORE PTE LTD.**  
491B River Valley Road, #12-01/04 Valley Point Office Tower, Singapore 248373  
**OLYMPUS UK LTD.**  
2-8 Honduras Street, London EC1Y 0TX, United Kingdom.

**OLYMPUS AUSTRALIA PTY. LTD.**  
31 Gilby Road, Mt. Waverley, VIC 3149, Melbourne, Australia.  
**OLYMPUS LATIN AMERICA, INC.**  
6100 Blue Lagoon Drive, Suite 390 Miami, FL 33126-2087, U.S.A.

www.olympus.com



This catalog is printed by environmentally-friendly waterless printing system with soy ink.

Printed in Japan M3455E-0304B