

Practical Convenience and
Quality Performance

UIS
UNIVERSAL
INFINITY SYSTEM



Excellent optical performance and versatility with uncompromised quality

The IX51 continues the Olympus inverted microscope tradition by providing a very stable, compact platform ready to accept a wide range of accessories and applications. Practical convenience and quality performance are matched by excellent cost efficiency. The slim frame design enables easy attachment of multiple accessories for live cell, culture and imaging applications.



Suitable for use with a wide variety of sample vessels

Long working distance condenser accommodates roller bottles

Improved throughput for high contrast fluorescence observation

Pre-centered phase-contrast slider for 10X-40X needs no adjustment (IX2-SLP)

The slim and compact design saves bench space

Ergonomic design
Easy operation

Side camera port accepts a wide range of CCD cameras

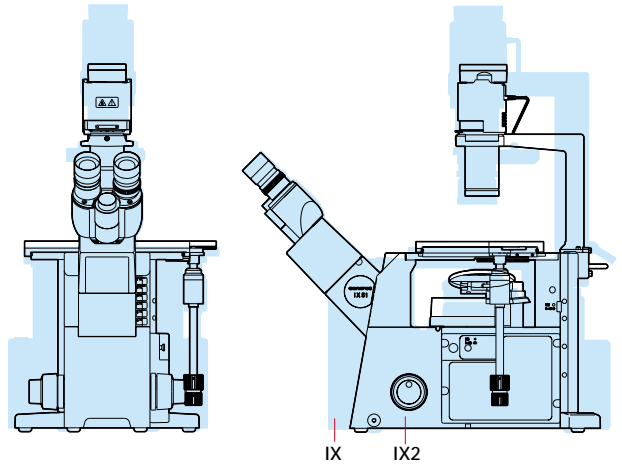
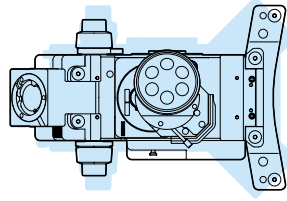


Excellent optical performance
and mechanical quality equals
outstanding value

Slim & compact

Plenty of workspace

- The slim, stable, compact design with reduced footprint provides ample bench space for accessories.
- Shortened height of 30W halogen illumination pillar provides easy installation in a clean bench environment.



Ergonomics

Easy, convenient operation

- Features to promote fatigue-free operation include a low stage, front mounted controls, and optional glass stage insert plate and objective color-band labels.
- Various observation tubes are provided to suit a wide range of users including a tilting binocular tube for use while sitting or standing.



Live cell observation

Suitable for use with a wide range of containers

- Optical system includes objectives and condensers to accommodate different vessel types and thicknesses.
- Stage adapters accommodate a variety of vessels from microscope slides to well plates.



Cell viability

Stable environment for long-term observations

- Computer aided design of the microscope frame for improved rigidity.
- External power supply reduces thermal expansion and electrical noise.
- All detents and click stops are designed to minimize vibration.
- For cell viability observations a stage warming plate, CO₂ chamber and incubator are available.



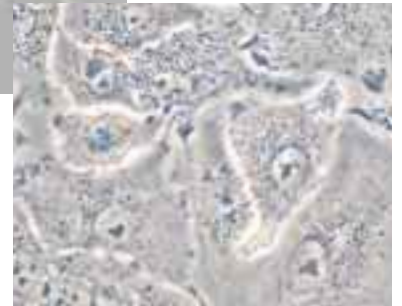
Superb optics

Easy to use phase-contrast system

- The 30W illumination pillar includes a condenser (N.A. 0.3, W.D. 72mm) with a detachable front lens for an ultra long working distance of 182mm to accommodate standing laboratory flasks or roller bottles.
- The IX2-SLP phase contrast slider includes annuli for 4X-40X objectives, pre-centered for ease of use. 10X-40X objectives all use a common annulus, simplifying magnification changes.
- The ultra-long working distance condenser (N.A. 0.3, W.D. 73mm) with four position turret can be combined with the 100W illumination pillar for 4X to 40X phase-contrast and brightfield observations.



10X



40X

Fluorescence

Excellent fluorescence performance

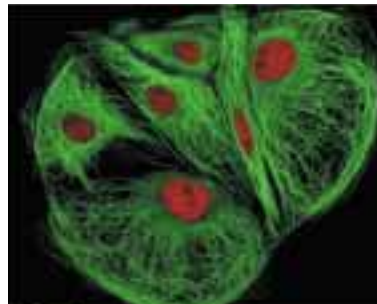
- High throughput illuminator is 20% brighter than previous models.
- A new L-shaped illuminator includes aperture and field stops and convenient access to burner centration.
- Fluorescence mirror units are designed to reduce stray light and resulting image flare.
- Sextuple turret unit can accept a variety of mirror units.
- Improved filter performance with high efficiency coatings designed for low background and minimal crossover.



IX2-RFA



IX2-RFAL

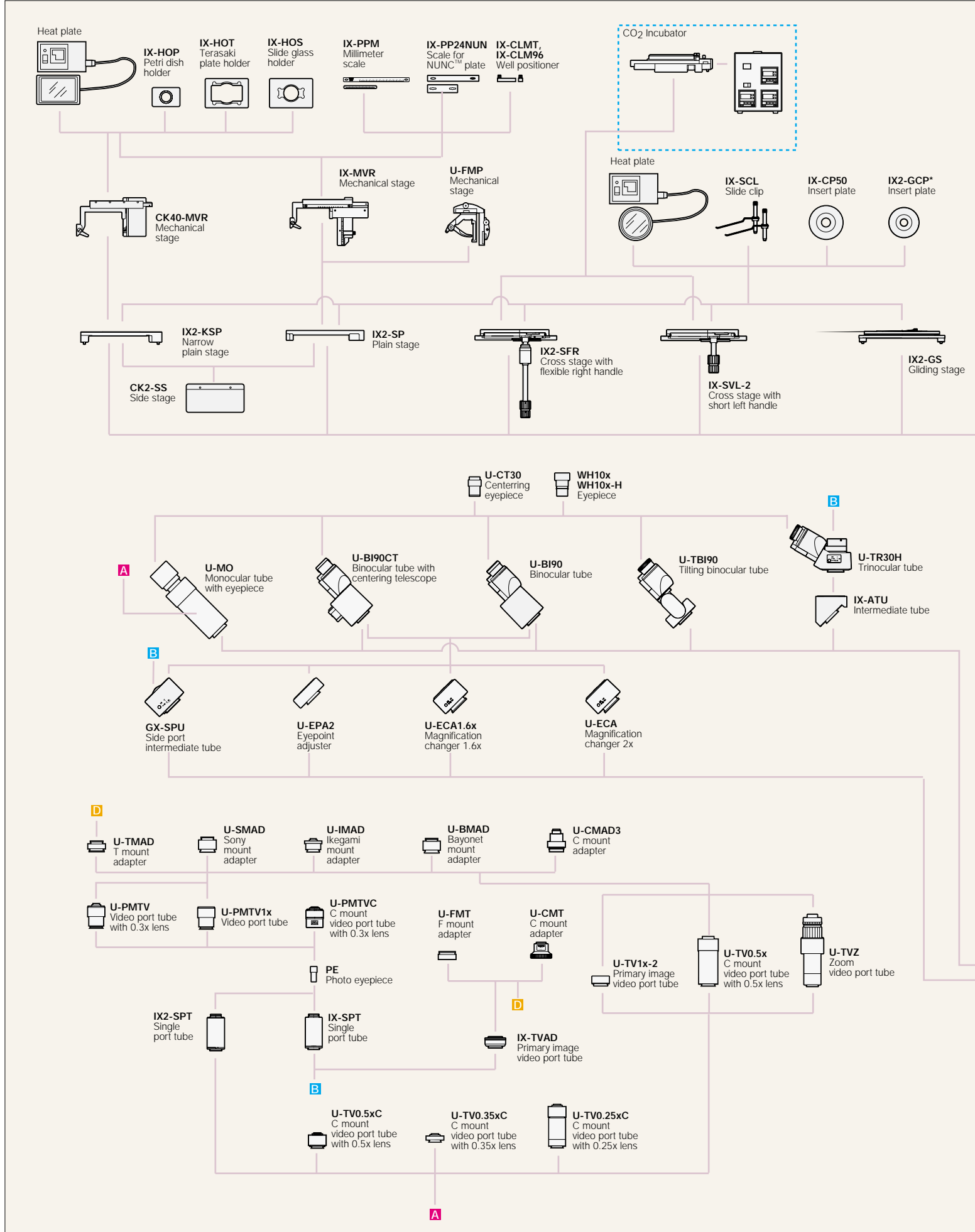


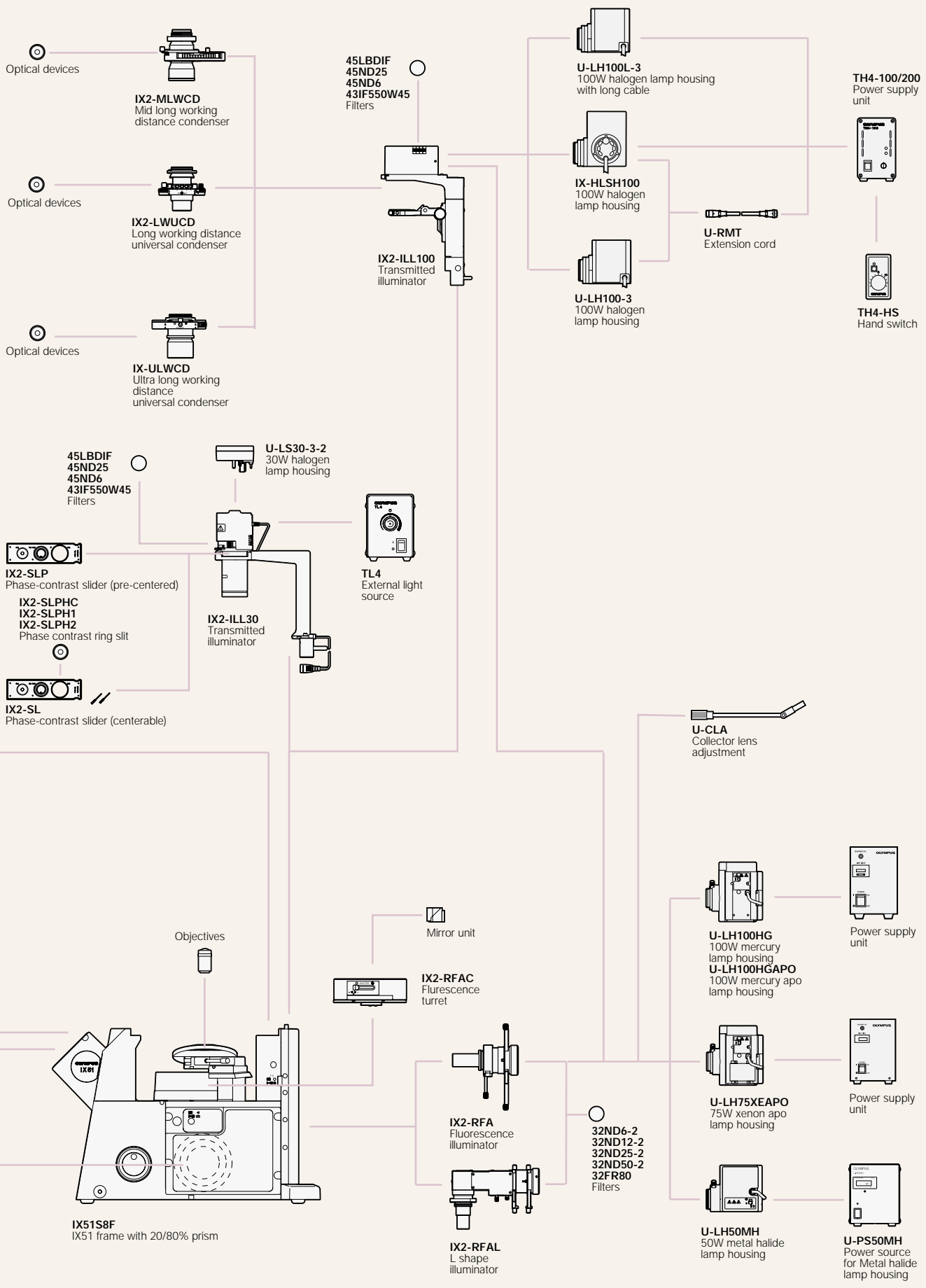
Accessory

- A rubber cap is provided with immersion objectives to prevent fluid leaking into the lens.



IX51 system diagram





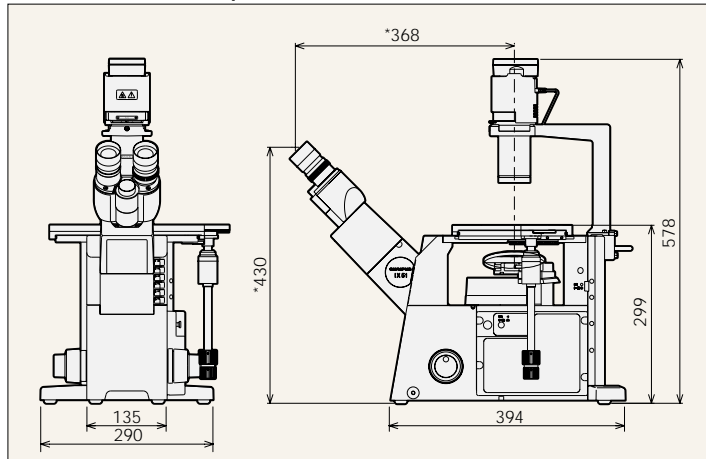
* Not available in some areas

IX51 specifications

Microscope body	Revolving nosepiece	Sextuple, simple waterproof mechanism incorporated	
	Focus	9mm stroke (from stage surface, 7mm upward and 2mm downward), coaxial coarse and fine focusing knobs (minimum fine focus graduation: 1µm, full rotation of fine focusing knobs: 100µm), upper limit stopper, torque adjustment for coarse focusing	
	Left side port	2-step light path selection	
Transmitted light illuminator	30W HAL illumination	IX2-ILL30 + U-LS30-3-2	
	External power supply unit	TL-4	
	100W HAL illumination	IX2-ILL100 + U-LH100L-3	
Observation tube	External power supply unit	TH4-100/200	
	Tilting binocular tube	U-TBI90	
	Binocular tube	U-BI90CT U-BI90	
	Trinocular tube	TR30H + IX-ATU	
Stage	Cross stage with flexible right handle	IX2-SFR	
	Cross stage with short left handle	IX-SVL-2	
	Plain stage	IX2-SP IX-MVR	
	Narrow plain stage	IX2-KSP	
	Gliding stage	CK40-MVR IX2-GS	
	Condenser	Ultra long working distance	IX-ULWCD
		Long working distance universal	IX2-LWUCD
Long working distance Relief Contrast		IX2-MLWCD	
Eyepiece		WH10x WH10x-H	
	Reflected light fluorescence unit	IX2-RFAL IX2-RFA IX2-RFAC	

IX51 30W illumination pillar version dimensions

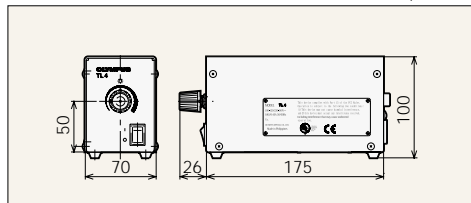
(unit: mm)



Weight: 20.5kg Length marked with an asterisk (*) may vary according to interpupillary distance.

TL4 dimensions

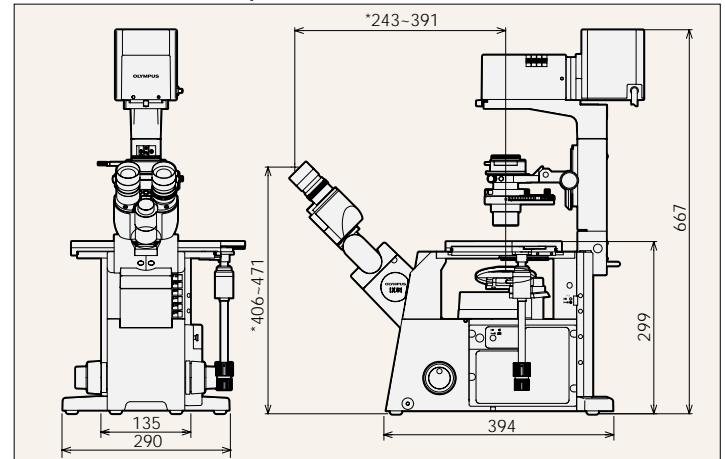
(unit: mm)



Weight: 0.8kg Rated voltage: 55VA

IX51 100W illumination pillar version dimensions

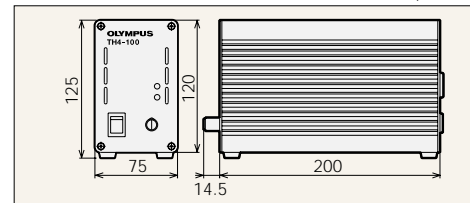
(unit: mm)



Weight: 24.4kg Length marked with an asterisk (*) may vary according to interpupillary distance.

TH4 dimensions

(unit: mm)



Weight: 2.2 kg Rated voltage: 200VA

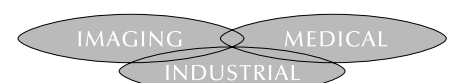


Specifications are subject to change without any obligation on the part of the manufacturer.

OLYMPUS

OLYMPUS OPTICAL CO. LTD.
San-Ei building, 22-2, Nishi Shinjuku 1-chome, Shinjuku-ku, Tokyo, Japan
OLYMPUS OPTICAL CO. (EUROPA) GMBH.
Postfach 10 49 08, 20034, Hamburg, Germany
OLYMPUS AMERICA INC.
2 Corporate Center Drive, Melville, NY 11747-3157, U.S.A.
OLYMPUS SINGAPORE PTE LTD.
491B River Valley Road, #12-01/04 Valley Point Office Tower, Singapore 248373
OLYMPUS OPTICAL CO. (U.K.) LTD.
2-8 Honduras Street, London EC1Y 0TX, United Kingdom.
OLYMPUS AUSTRALIA PTY. LTD.
104 Ferntree Gully Road, Oakleigh, Victoria, 3166, Australia

OLYMPUS BUSINESS AREAS



www.olympus.com

Printed in Japan M3500E-0302B